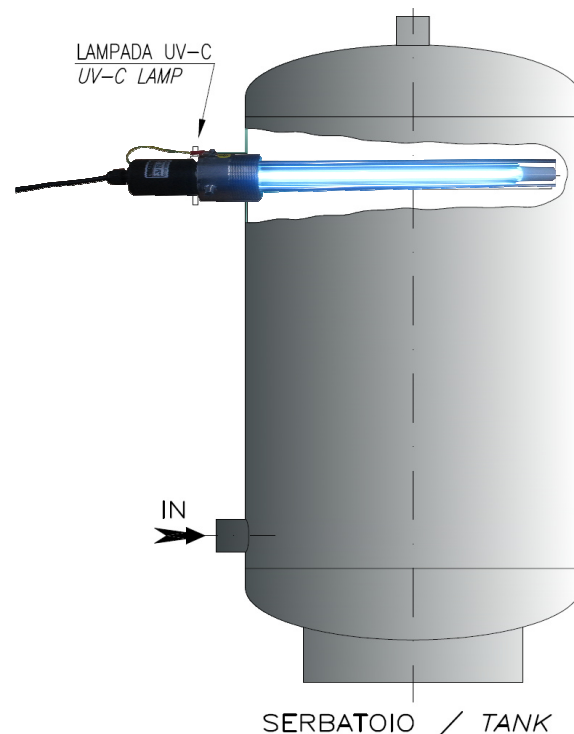


# UV-C DISINFECTION SYSTEMS IM SERIES



## Mains applications

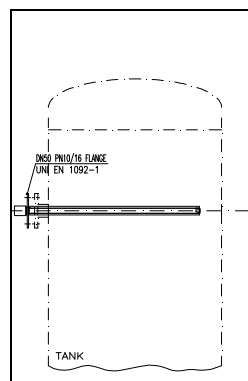
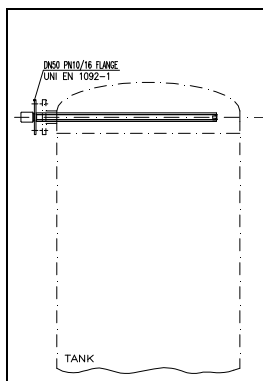
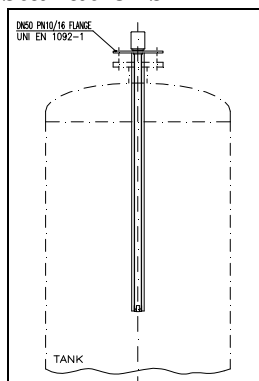
Perfect headroom disinfection in water storage tanks. It can be also used for water disinfection. These immersion lamps are applicable to prevent bacteria growth in water tanks.

- Food & beverage
- Industrial water: cosmetic, pharmaceutical, electronic.
- Fish farming

## Technical description

- High UV intensity lamps type: low pressure or low pressure Amalgam SITA.
- Lamp life: 9000 h; Lamp Life IM 200: 12000 h
- Protective quartz sleeve
- Lamp mounting:
  - **IM:** DN50 UNI EN 1092-1.
  - **IM-F:** Threaded 2" ISO 228-1: 2003
  - Different diameter optional on request.
- Operating pressure: 3 bar
- Possible water temperature range: 0 - 60 °C.
- Protection degree: IP65

## Possible installations



## Electrical Panel UV IM 16 F



POWER SUPPLY	AL
Material	Thermoplastic
Dimensions	118 x 60 x 64 mm
Protection class	IP 54
Ambient temperature range	5 – 45 °C
Power supply	230 V - 50/60 Hz
Lamp cable length	1 m
Power supply cable	1 m
Feed plug	SCHUKO (Standard), UK, No plug

## Electrical Panel UV IM 80



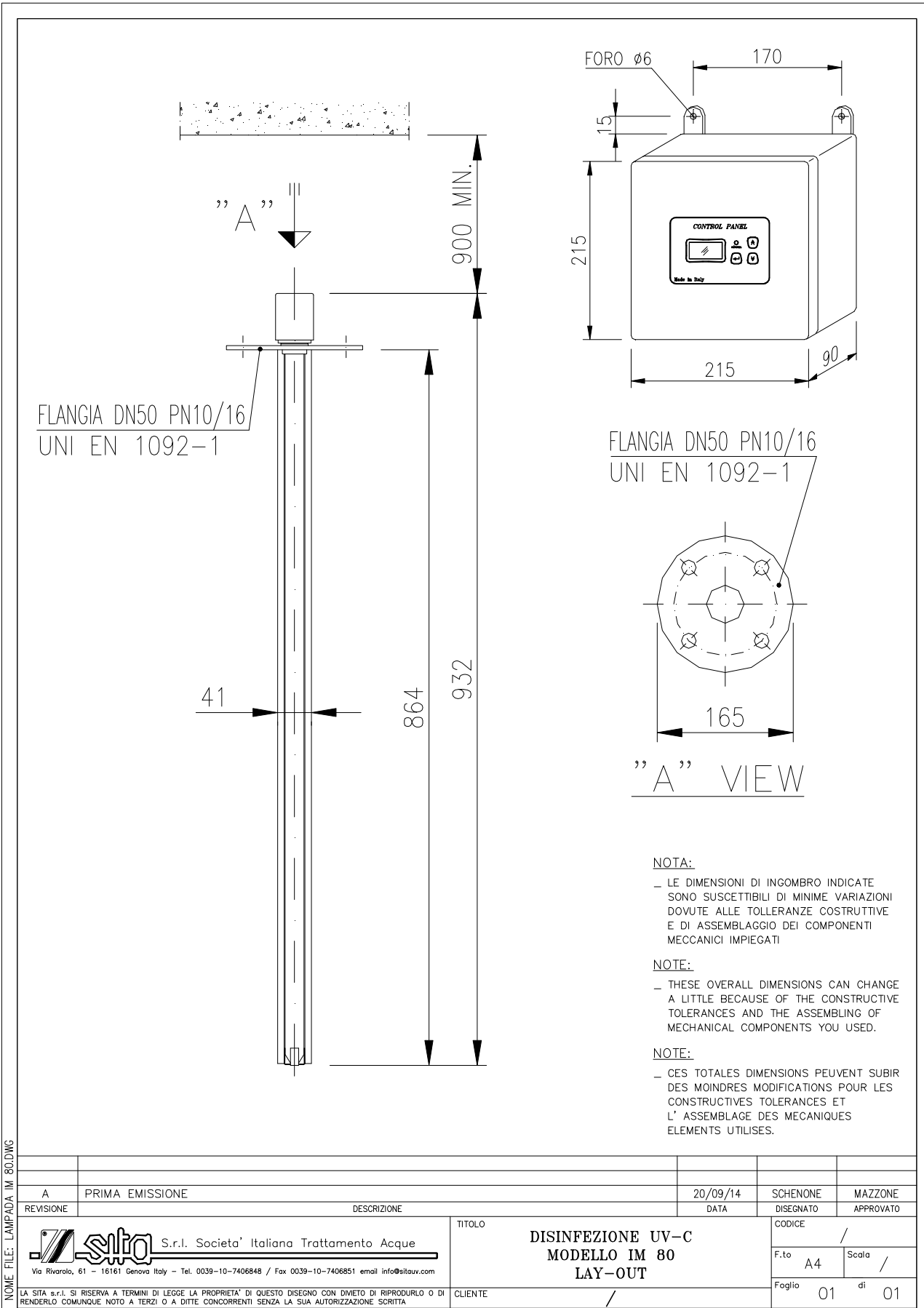
CONTROL PANEL	LCD
Material and colour	Black Polypropylene
Dimensions	215 x 215 x 90 mm
Protection class	IP 55 (IP 65 on request)
Ambient temperature range	5 – 45 °C
Power supply	230 V - 50/60 Hz (115V – 50/60 Hz on request)
Lamp cable	1 m
Power supply cable	1 m
Monitor display	LCD SITA
Hour meter	Yes for total system life
Resettable hour meter	Yes for lamp life control
Lamp function control	Yes
Alarm led	Yes
Free contact (NO - NC)	Yes – general alarm (max 2 A)
230 V output (NO - NC)	Yes – general alarm (max 2 A)
Remote ON/OFF contact	Yes (settable)
ON/OFF Timer	Yes (settable)
Audio alarm	Optional

## Electrical Panel UV IM 200



CONTROL PANEL	RACK LCD
Material and colour	Painted Steel – RAL 7035
Dimensions	215 x 215 x 90 mm
Protection class	IP 55 (IP 65 on request)
Ambient temperature range	5 – 45 °C
Power supply	230 V - 50/60 Hz (115V – 50/60 Hz on request)
Lamp cable	1 m
Power supply cable	1 m
Monitor display	LCD SITA
Hour meter	Yes for total system life
Resettable hour meter	Yes for lamp life control
Lamp function control	Yes
Alarm led	Yes
Free contact (NO - NC)	Yes – general alarm (max 2 A)
230 V output (NO - NC)	Yes – general alarm (max 2 A)
Remote ON/OFF contact	Yes (settable)
ON/OFF Timer	Yes (settable)
Audio alarm	Optional

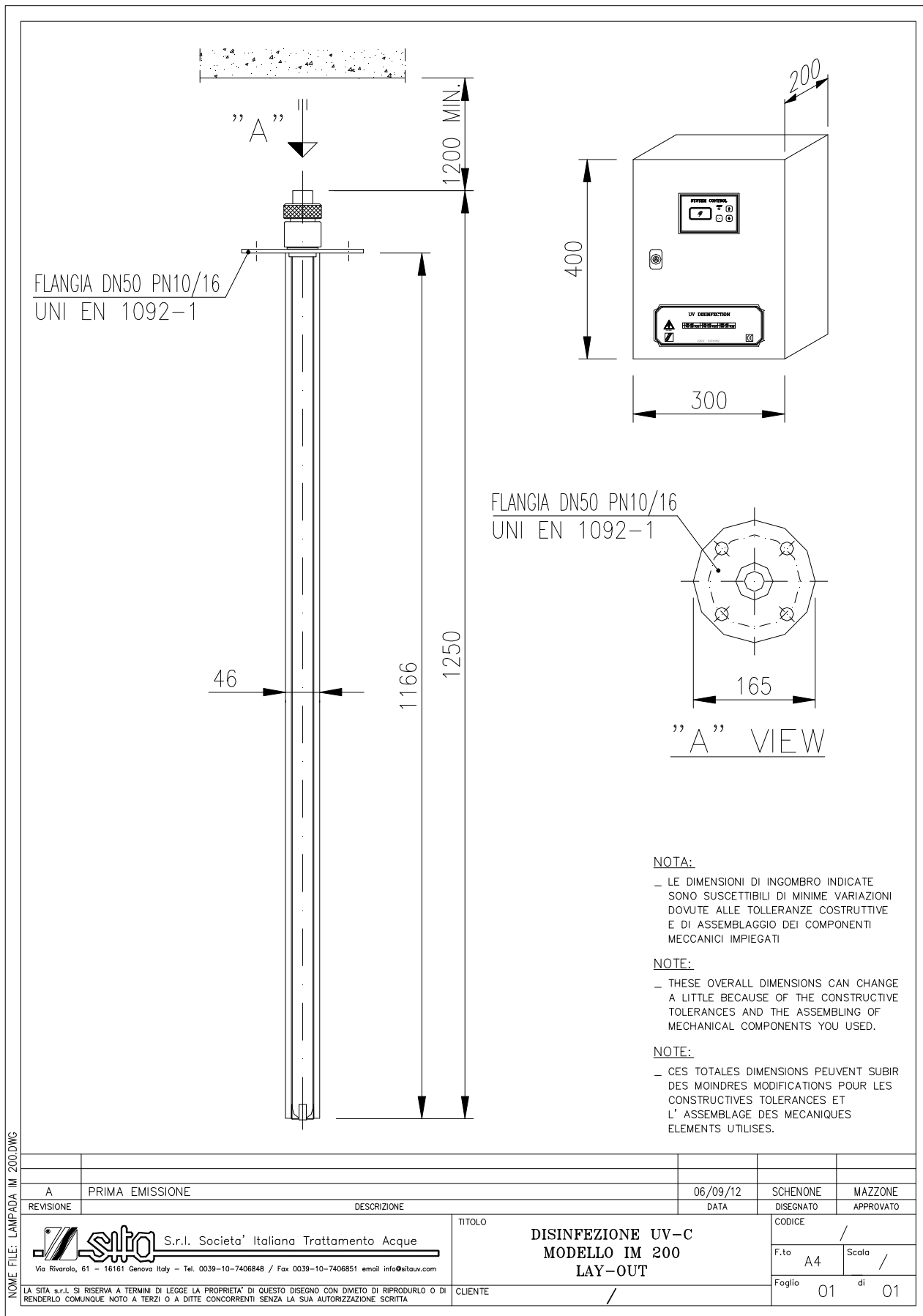
# IM 40-80 DIMENSIONAL DRAWING



NOME FILE: LAMPADA IM 80.DWG

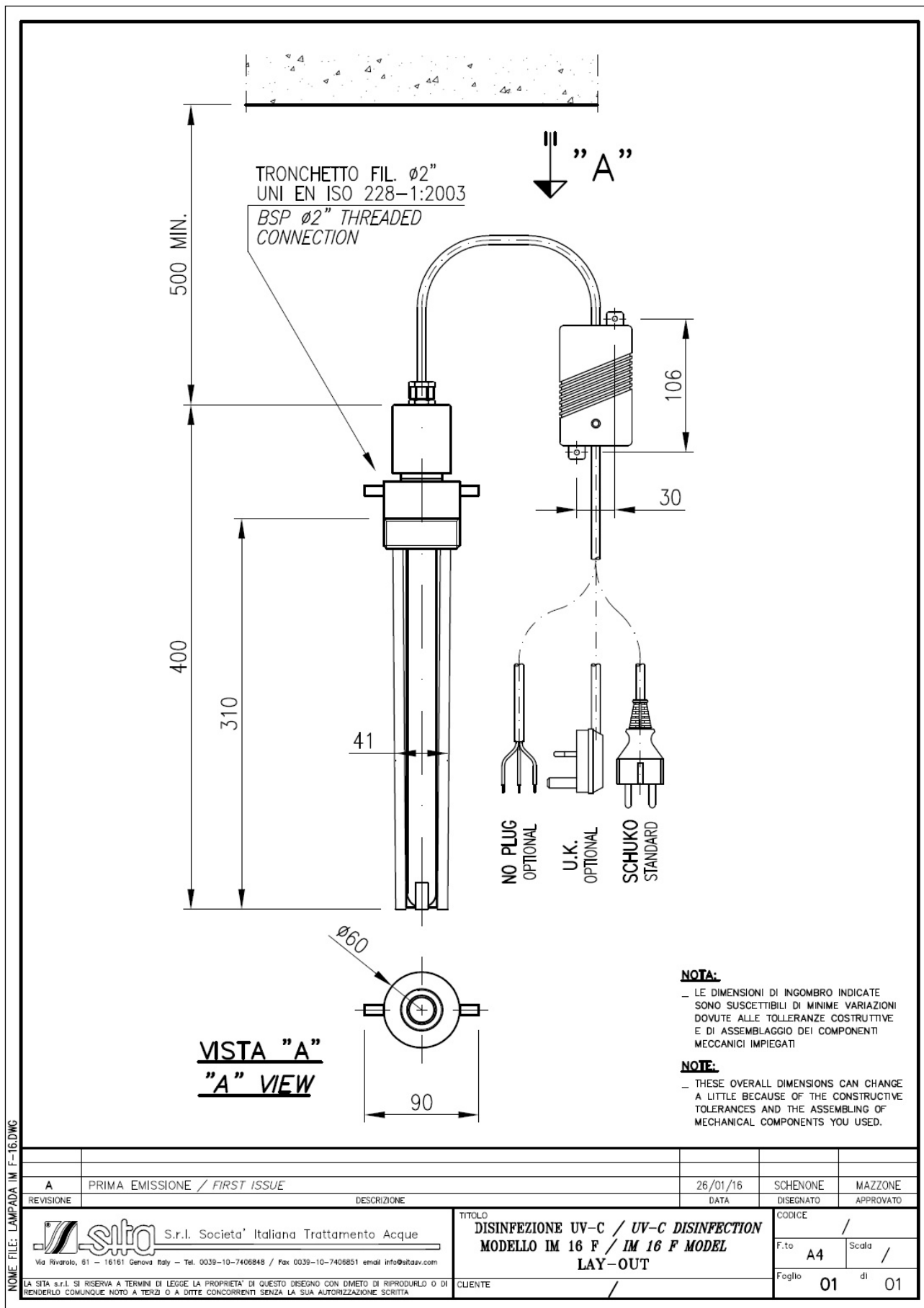
A		PRIMA EMISSIONE	20/09/14	SCHENONE	MAZZONE
REVISIONE	DESCRIZIONE		DATA	DISEGNATO	APPROVATO
S.r.l. Società Italiana Trattamento Acque Via Rivarolo, 61 - 16161 Genova Italy - Tel. 0039-10-7406848 / Fax 0039-10-7406851 email info@sitauv.com		TITOLO	CODICE		/
		DISINFEZIONE UV-C MODELLO IM 80 LAY-OUT	F.to	A4	Scala /
LA SITA s.r.l. SI RISERVA A TERMINI DI LEGGE LA PROPRIETA' DI QUESTO DISEGNO CON DIVIETO DI RIPRODURLO O DI RENDERLO COMUNQUE NOTO A TERZI O A DITTE CONCORRENTI SENZA LA SUA AUTORIZZAZIONE SCRITTA		CLIENTE	Foglio	01	di 01

# IM 200 DIMENSIONAL DRAWING

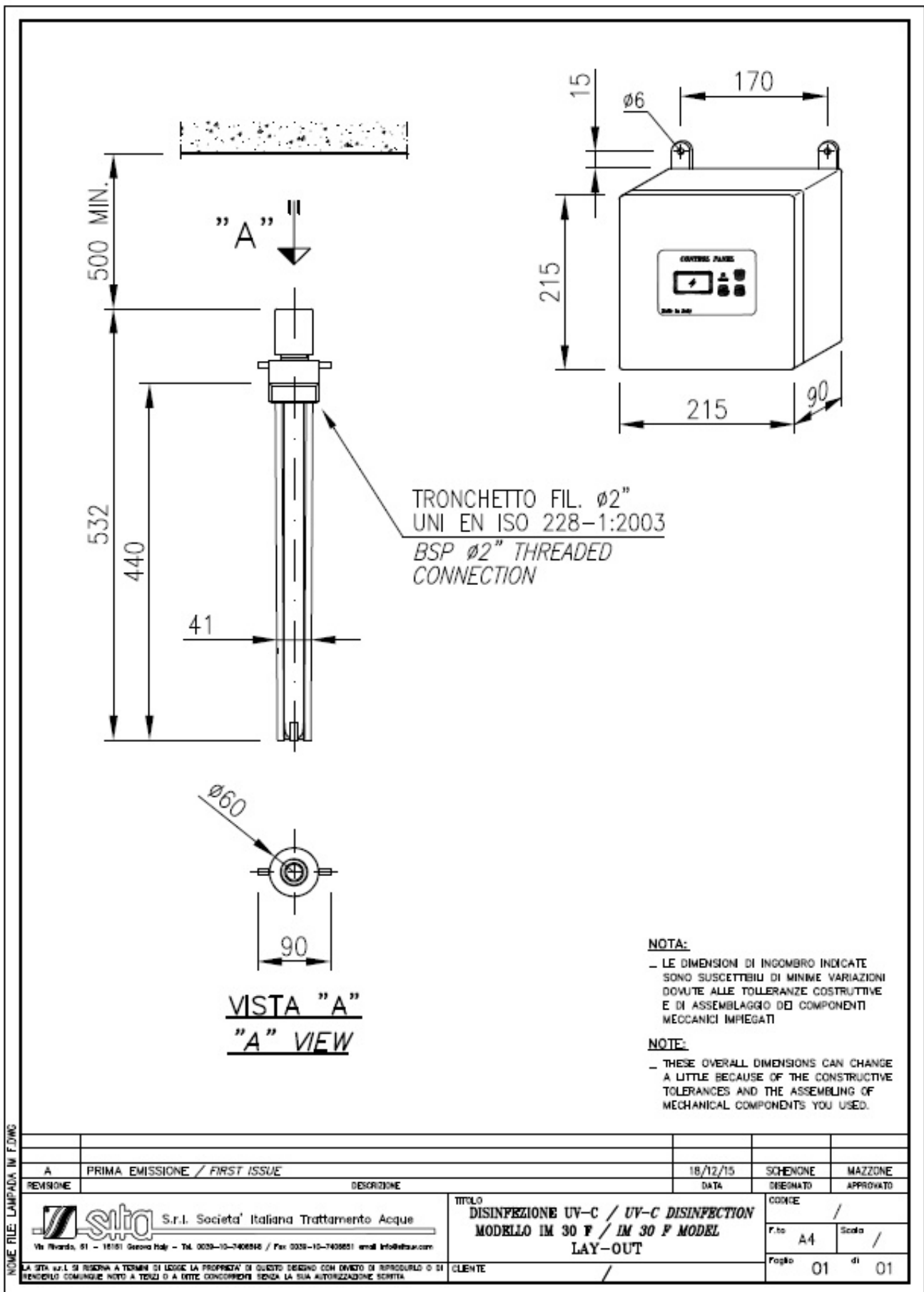


NOME FILE: LAMPADA IM 200.DWG

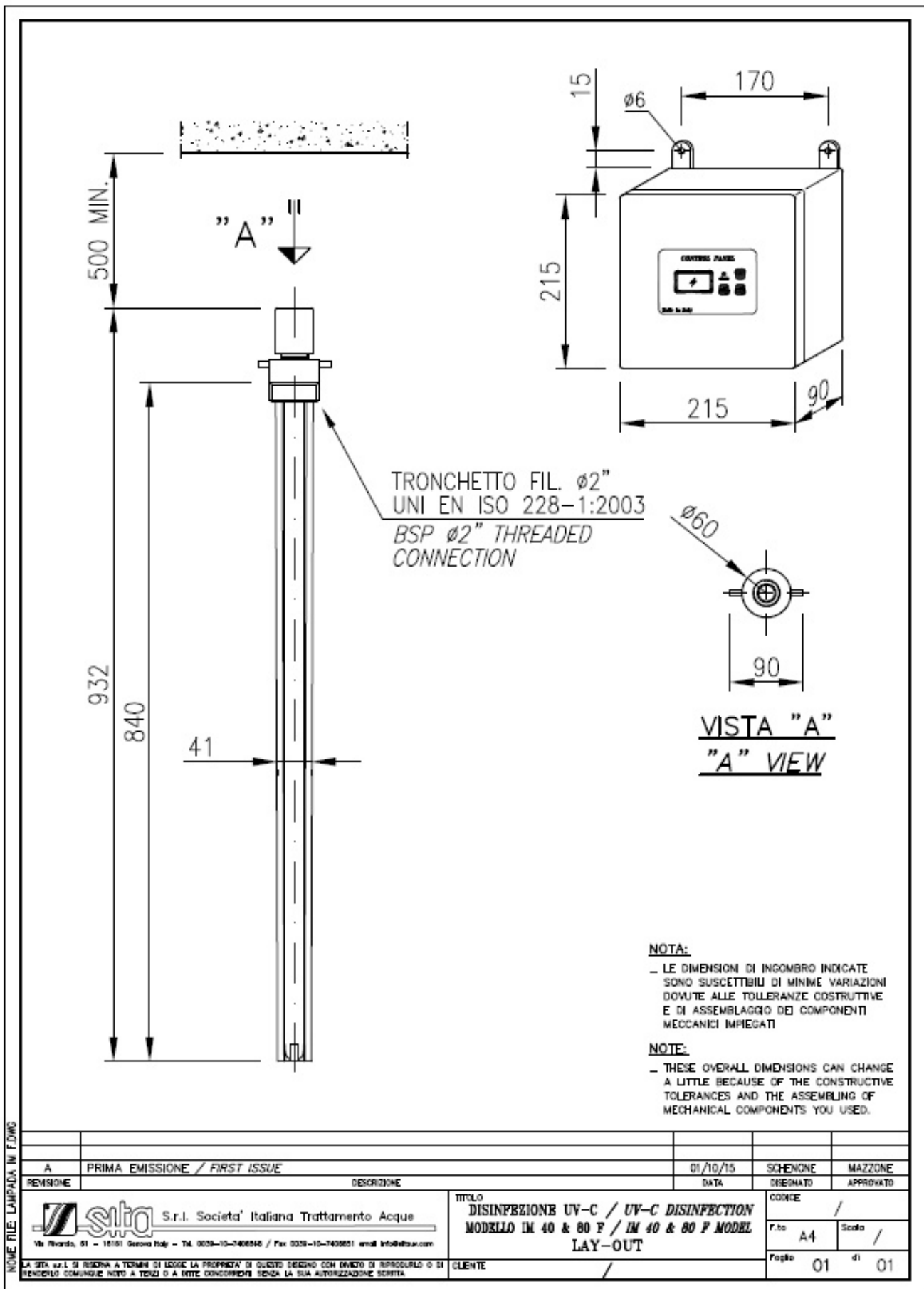
# IM 16 F DIMENSIONAL DRAWING



# IM 30 F DIMENSIONAL DRAWING



# IM 40-80 F DIMENSIONAL DRAWING



# IM 200 F DIMENSIONAL DRAWING

